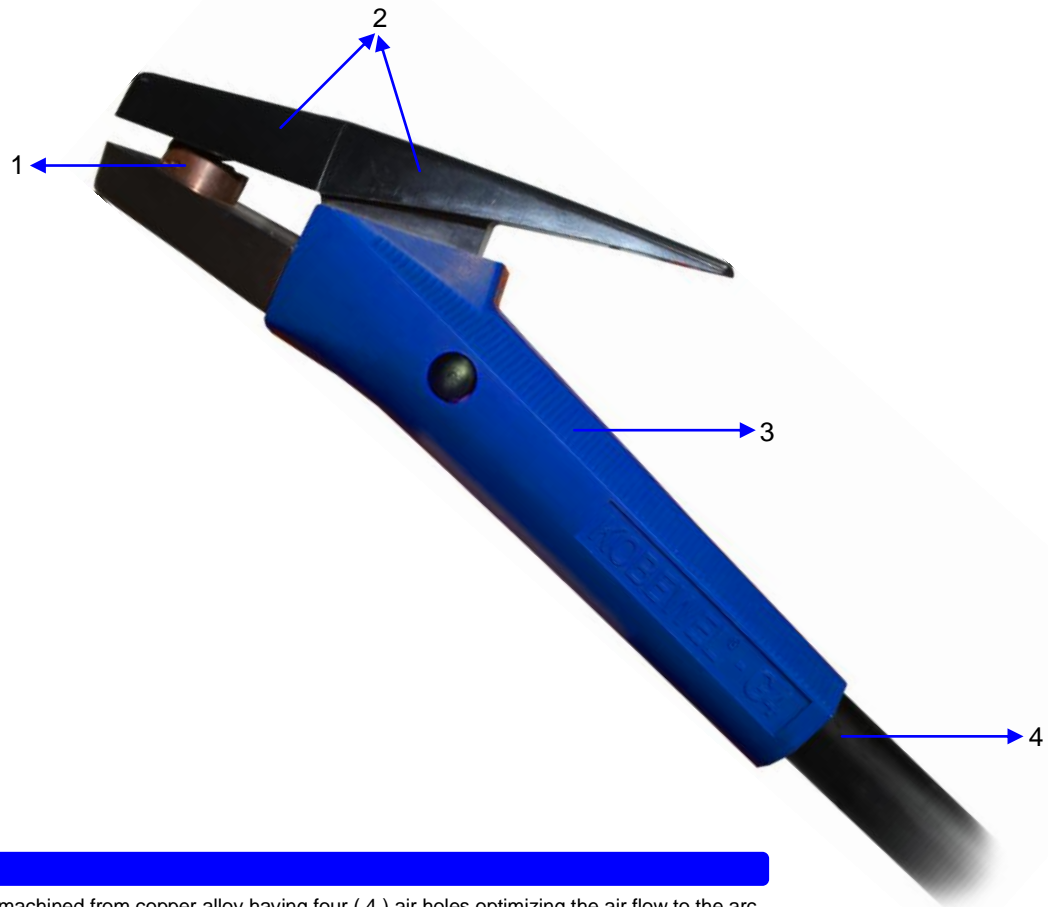
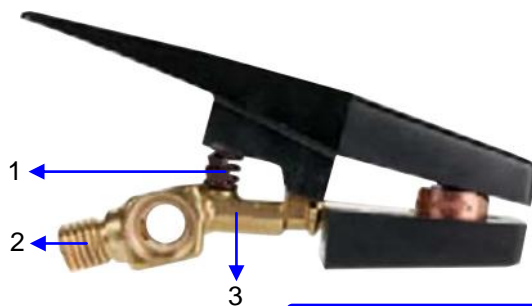




Gouging Torch G4 - 1000 A - 2.1 m / 7 feet



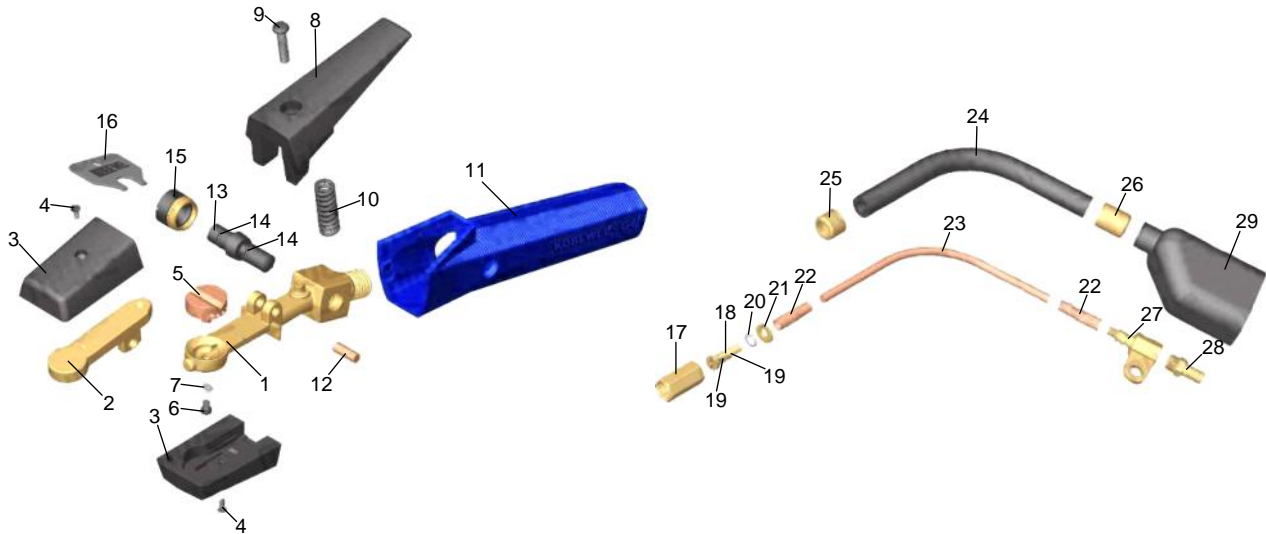
No.	Description
1	Head assembly machined from copper alloy having four (4) air holes optimizing the air flow to the arc.
2	Heavy-duty insulators, lever and handle that are all made from fiberglass reinforced thermosed polyester molding compound to withstand the heat and be impact resistant.
3	Positive grip handle design increases operator feel and ease of positioning the torch.
4	360 degree swivel cable assembly eliminates cable twist and puts less strain on the operator.



No.	Description
1	Spring rated at 225 lbs. per inch providing excellent clamping pressure on the CCDC electrodes.
2	Square threads are used to attach the cable assembly to the body reducing the chance of this connection seizing together when operated at high amperage range / duty cycle.
3	Forged 1-piece brass alloy body machined to close tolerances on the valve seat and head seat.



Gouging Torch G4 - 1000 A - 2.1 m / 7 feet



Kobewel G4 - Gouging Torch - Part List

No.	Part Description	No.	Part Description
1	Torch Body, Kobewel G4	17	Power Cable Connector Nut
2	Upper Arm	18	Power Cable Retainer Screw
3	Insulator	19	Power Cable Retainer O-Ring
4	Insulator Screw	20	Power Cable Spring Washer
5	Head	21	Power Cable Brass Washer
6	Head Screw	22	Power Cable Crimp Tube
7	Head Spring Washer	23	Power Cable Copper Wire
8	Lever	24	Power Cable Rubber Hose
9	Lever Screw	25	Power Cable Front Ferrule
10	Lever Spring	26	Power Cable Rear Ferrule
11	Handle	27	Power Cable Female Connector
12	Hinge Pin	28	Power Cable Brass Nipple, 1/2" Hose
13	Spool	29	Power Cable Insulating Boot
14	Spool O-ring		
15	Bonnet		
16	Bonnet Wrench		



Specifications

Rating	Max. 1.000 A
Nom. Air pressure	7 bar
Nom. Volume flow	Approx.0.60 m3/min
Connection air supply	13/8" - 18 NPT
Weight	1.20 kg (Working height 1m)

Item Code	Item Name	MoQ
201.27.003	Gouging Torch G4 - 1000 A - 2.1 m / 7 feet	1 Set