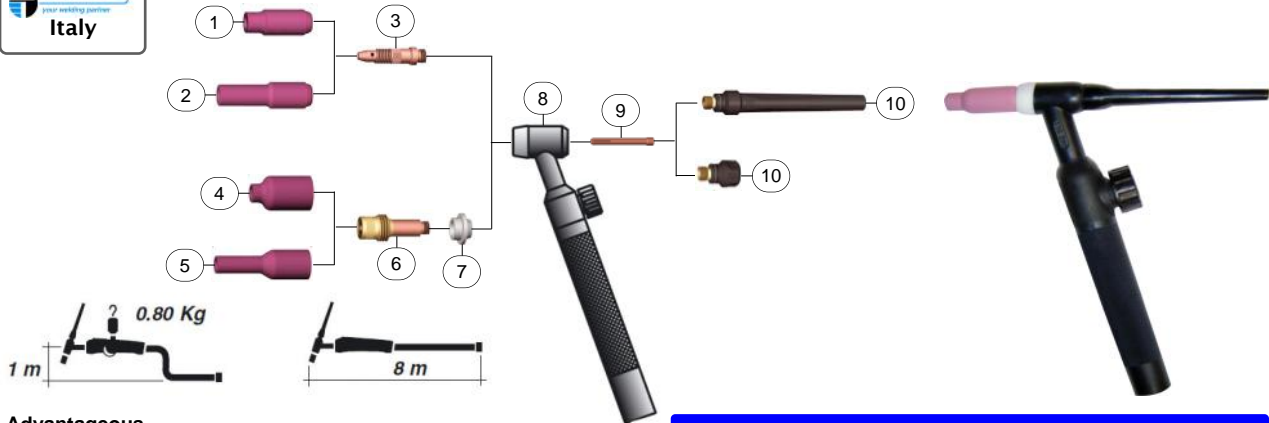




TIG Torches - Air Cooled - WP 26 V - 25 - 2



Advantageous

- The best known and used Tig torch in the world
- High quality and technology for trouble free performance whatever the welding jobs are
- Very flexible welding cable with high insulation level
- Wearing parts compatible with international standard
- Silicone Rubber torch bodies, reduce the possibility of accidental damage during use or the loss of high frequency signal due to torch body failure

Specifications

Type of Cooling	Air
Gas Flow	7 - 18 l/min
Duty Cycle 35 % DC	180 A
Duty Cycle 35 % AC	150 A
Tungsten Electrode Ø	1.6 - 4.0 mm

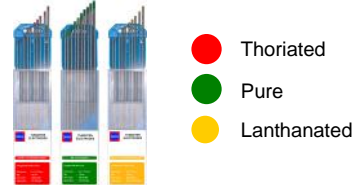
Pos	Item Code	Item Name	MoQ
1	203.17.001	Alumina Nozzle Short No. 5 (10N49) - TIG 17 - 26 - 18	10 Pcs
	203.17.002	Alumina Nozzle Short No. 6 (10N48) - TIG 17 - 26 - 18	10 Pcs
	203.17.003	Alumina Nozzle Short No. 7 (10N47) - TIG 17 - 26 - 18	10 Pcs
	203.17.004	Alumina Nozzle Short No. 8 (10N46) - TIG 17 - 26 - 18	10 Pcs
	203.17.005	Alumina Nozzle Short No. 10 (10N45) - TIG 17 - 26 - 18	10 Pcs
	203.17.006	Alumina Nozzle Short No. 12 (10N44) - TIG 17 - 26 - 18	10 Pcs
2	203.18.001	Alumina Nozzle Long No. 5 (10N49L) - TIG 17 - 26 - 18	10 Pcs
	203.18.002	Alumina Nozzle Long No. 6 (10N48L) - TIG 17 - 26 - 18	10 Pcs
	203.18.003	Alumina Nozzle Long No. 7 (10N47L) - TIG 17 - 26 - 18	10 Pcs
	203.18.004	Alumina Nozzle Long No. 12 (10N44L) - TIG 17 - 26 - 18	10 Pcs
3	203.22.001	Collet Body Ø 1.6 mm (10N31) - TIG 17 - 26 - 18	3 Pcs
	203.22.002	Collet Body Ø 2.4 mm (10N32) - TIG 17 - 26 - 18	3 Pcs
	203.22.003	Collet Body Ø 3.2 mm (10N28) - TIG 17 - 26 - 18	3 Pcs
	203.22.004	Collet Body Ø 4.0 mm (406488) - TIG 17 - 26 - 18	3 Pcs
4	203.19.001	Alumina Nozzle Short Gas Lens No. 4 (54N18) - TIG 17 - 26 - 18	10 Pcs
	203.19.002	Alumina Nozzle Short Gas Lens No. 5 (54N17) - TIG 17 - 26 - 18	10 Pcs
	203.19.003	Alumina Nozzle Short Gas Lens No. 6 (54N16) - TIG 17 - 26 - 18	10 Pcs
	203.19.004	Alumina Nozzle Short Gas Lens No. 7 (54N15) - TIG 17 - 26 - 18	10 Pcs
	203.19.005	Alumina Nozzle Short Gas Lens No. 8 (54N14) - TIG 17 - 26 - 18	10 Pcs
	203.19.006	Alumina Nozzle Short Gas Lens No. 12 (54N19) - TIG 17 - 26 - 18	10 Pcs
5	203.20.001	Alumina Nozzle Long Gas Lens No. 5 (54N17L) - TIG 17 - 26 - 18	10 Pcs
	203.20.002	Alumina Nozzle Long Gas Lens No. 6 (54N16L) - TIG 17 - 26 - 18	10 Pcs
	203.20.003	Alumina Nozzle Long Gas Lens No. 7 (54N15L) - TIG 17 - 26 - 18	10 Pcs
6	203.23.001	Collet Body Gas Lens Ø 1.6 mm (45V25) - TIG 17 - 26 - 18	3 Pcs
	203.23.002	Collet Body Gas Lens Ø 2.4 mm (45V26) - TIG 17 - 26 - 18	3 Pcs
	203.23.003	Collet Body Gas Lens Ø 3.2 mm (45V27) - TIG 17 - 26 - 18	3 Pcs
	203.23.004	Collet Body Gas Lens Ø 4.0 mm (45V28) - TIG 17 - 26 - 18	3 Pcs
7	203.23.005	Collet Body Gas Lens Insulator (54N01) - TIG 17 - 26 - 18	3 Pcs
8	203.32.005	Torch Head WP 26 V	1 Pc
	203.32.006	Torch Head Flexible WP 26 FV	1 Pc
9	203.21.001	Collet Ø 1.6 mm (10N23) - TIG 17 - 26 - 18	5 Pcs
	203.21.002	Collet Ø 2.4 mm (10N24) - TIG 17 - 26 - 18	5 Pcs
	203.21.003	Collet Ø 3.2 mm (10N25) - TIG 17 - 26 - 18	5 Pcs
	203.21.004	Collet Ø 4.0 mm (54N20) - TIG 17 - 26 - 18	5 Pcs
10	203.24.001	Back Cap Long (57Y02) - TIG 17 - 26 - 18	3 Pcs
	203.24.002	Back Cap Short (57Y04) - TIG 17 - 26 - 18	3 Pcs

Recommended

- 1 Kobewel Solarmatic Helmet



- 2 DACH Tungsten Electrodes



- 3 Inelco Tungsten Grinder



Item Code	Item Name	MoQ
203.16.005	TIG Torch - Air Cooled - WP 26 V-25-2 at 8 m	1 Set
203.16.006	TIG Torch - Air Cooled - WP 26 V-25-2 at 8 m - Flexible	1 Set