



**Bolted Joint**



**Cu + Al Multi – Conductor Cable,  
Solid and Multi - Stranded**

## Cable Cutter Ratchet Action with Telescopic Handle



### Advantageous

- Handle length with multiple position adjustment from 400 - 600 mm ( short transport length, individual adaptation to working conditions )
- For copper and aluminum single conductors as well as multiple stranded cables – also with hard rubber or plastic sheath
- Not suitable for steel wire and wire ropes
- Little hand force required for cutting due to optimum transmission ratio
- High cutting capacity due to two-hand operation and ratchet action
- The blade can be opened in any cutting position
- Blade : special - quality high grade tool steel, oil hardened
- Handles : high-strength oval aluminum tubing
- Also suitable for cables with iron sheath reinforcement

### Burnished - Multi Component Grips

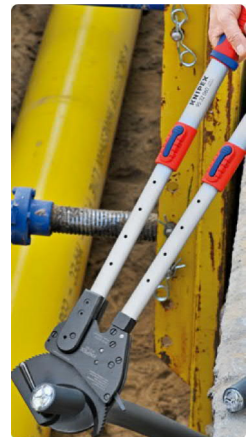
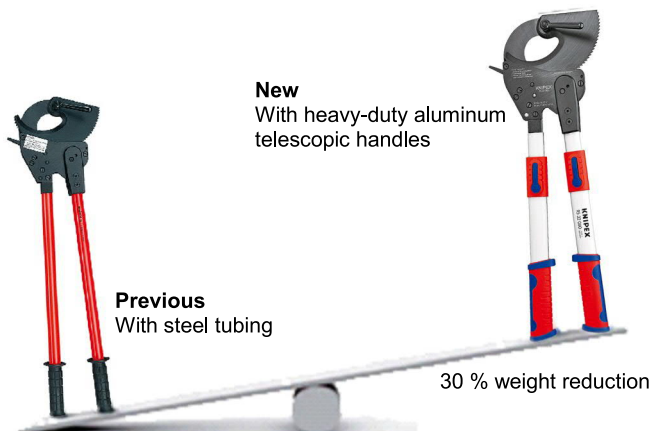


### Specifications

Length	mm	<b>630</b>
Cutting Cable Ø	mm	60
Cutting Cable Section Ø	mm <sup>2</sup>	740
MCM		1400
Weight	gram	3820

Item Code	Item Name
<b>233.24.001</b>	Cable Cutter Ratchet Action with Telescopic Handle - 630 mm - Burnished - Multi Component Grips

Handles adjustable in length and angular position for easier work : set the handle length to the optimum lever for powerful cutting; put the handles at an angle for a comfortable gripping position



Tool in length : 630 mm;  
Weight only approx. 3820 g